



BOSCH

Invented for life



Kliklok CCI

Endload Cartoner Fully Automatic Compact Cartoner

The Kliklok CCI offers an innovative and economical approach to automatic endload cartoning. The CCI is compact in design and uses mechanical intermittent motion with automated product insertion and infeed timing within a small footprint, maximizing production space and reducing manpower.

Simple to operate

The Kliklok CCI is simple to operate, with single start/stop controls and on-demand carton indexing for random product arrival, allowing virtually anyone to operate this machine.

Compact footprint

The Kliklok CCI has a small and efficient footprint, providing the maximum opportunity for space savings in production - the ideal choice for customers with limited floor space.

Fully automated

The CCI's inserter automatically pushes product into the carton when sensors detect incoming product. Glue is applied through a pressurized gluing system, reducing glue waste and machine manning as well as ensuring accurate application. Powered carton outfeed belts positively transfer closed cartons out of the machine, complimenting integration with other conveying and packaging systems.

Interactive colour touch screen

A standard feature on the CCI, the Insight® colour touch screen is simple to learn and operate, using icon-based intuitive controls. The 4" (100mm) screen also enables accuracy in glue control and application.

Positive feeder

The CCI uses a sophisticated feed geometry which positively pulls the carton out of the magazine and transfers it into the carrying flight, creating a highly reliable and efficient infeed, whilst reducing the risk of damage to the carton.

Hot-melt glue system

The CCI is fitted with a hot-melt glue system, with nozzle type application for controlled and consistently accurate closure.

Key Features

- ▶ Compact footprint for minimal floor space
- ▶ Simple to operate
- ▶ Positive and reliable carton feeding
- ▶ Automatic product infeed timing

Packaging System Structure

Primary Packaging

Product Handling

Secondary Packaging

Kliklok CCI Endload Cartoner

Technical Specifications

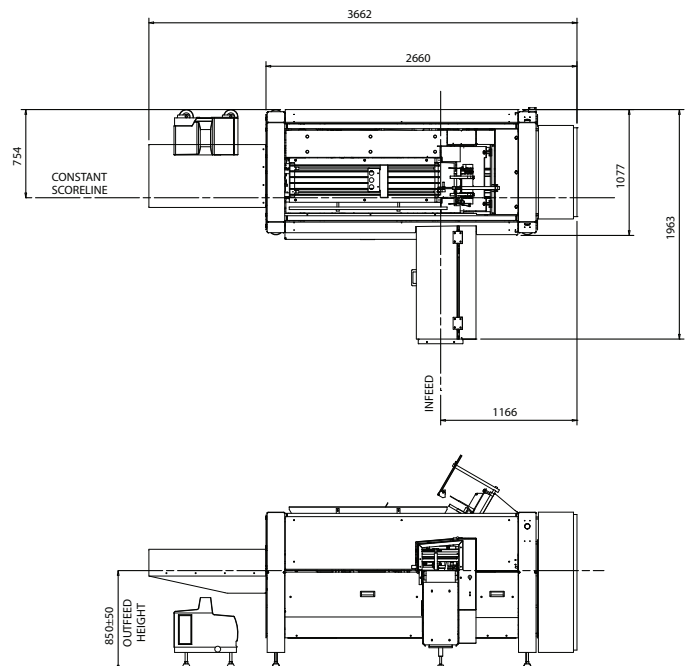
Performance		Carton Size Range	Minimum	Maximum
Production Speed	Variable to 40 cpm	Length	50 mm (1.97")	260 mm (10.24")
Actual speed depends on machine configuration, product and carton size and carton style. Ask Kliklok about meeting higher speed requirements.		Width	25 mm (1.00")	100 mm (3.94")
		Depth	100 mm (3.94")	300 mm (11.81")
Operating Requirements		An individual carton combining multiple minimum or maximum dimensions may not be compatible with the standard system.		
Power Consumption	3.5 kVA			
Air	20 liters/min (.70 cfm)			
	6 bar (87 psi)			
Construction		Shipping Weight, Skidded		1020 kg (2250 lb)
Stainless steel frame and shafts. Clear polycarbonate guards. Nickel-plated chains, pulleys and sprockets. Anodized aluminum.				

Standard Features

- ▶ 12" pitch
- ▶ Predominantly stainless steel construction
- ▶ Powered carton hopper
- ▶ Mechanical indexing system
- ▶ Lifiable overhead guides
- ▶ Hot-melt glue system
- ▶ Powered outfeed belts
- ▶ "Slam shut" folding and compression
- ▶ Large size range
- ▶ CE compliant

Optional Features

- ▶ 6" pitch
- ▶ Alternative closing (tuck)
- ▶ Opposite hand version
- ▶ Parallel infeed version



Bosch Packaging Technology

boschpackaging.com

Kliklok International Western Drive, Hengrove Park Estate, Bristol, BS14 0AY UK +44 1275 836131 kliklok-int.com

Kliklok-Woodman 5224 Snapfinger Woods Drive, Decatur, GA 30035 USA +1 770-981-5200 kliklokwoodman.com