



BOSCH

Invented for life



Kliklok SIPTU

Smartbelt Timing System Multi-Stage Smooth Intelligent Product Transfer Unit

The Kliklok SIPTU automatically times and places randomly arriving product into endload cartoning product infeed conveyors (PICs). Independently driven and controlled, it forms an integrated part of the PIC, offering layout flexibility and simple interface with Kliklok endload cartoners. It is especially well-suited for difficult products and frozen (often slippery) products. The SIPTU smoothly corrects product positioning by making several placement adjustments across four phasing belts. This allows for higher production speeds with accurate placement.

Wide, high grip belts

Flat product transport belts provide a large contact area for maximum traction and positive product handling in frozen food applications.

Six-stage smart phasing

Independent servo-controlled belts are used to incrementally correct product position for gentle, positive placement into an endload cartoner's infeed flights. The smooth motion eliminates product slippage.

Easy operation with touchscreen HMI

The color graphic touch screen HMI is intuitive and features recipe-based programming. Automatic programming that reduces operator error and ensures consistent performance regardless of shift or operator skill.

Sanitary stainless steel construction

Constructed of stainless steel and durable components in a modest footprint, the SIPTU is rated IP65 for tough environments.

Key Features

- ▶ Speeds up to 300 products/min
- ▶ Wide, high-grip belts for maximum control
- ▶ Stainless steel washdown design (IP65)

Packaging System Structure

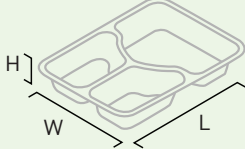
Primary Packaging

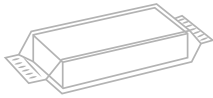
Product Handling

Secondary Packaging

Kliklok SIPTU Smartbelt Timing System

Technical Specifications

Performance		Product Size Range	Minimum	Maximum
Production Speed	Variable to 300 ppm	Length	40 mm (1.50")	252 mm (9.93")
Actual speed depends upon product characteristics and loading arrangement.		Width	55 mm (2.19")	305 mm (12.00")
		Height	12 mm (.50")	90 mm (3.50")
Operating Requirements		An individual product combining multiple minimum or maximum dimensions may not be compatible with the standard system.		
Power Consumption	8.5 kVA			
Construction				
Fully-welded stainless steel frame.				
Shipping Weight, Skidded	694 kg (1630 lb)			



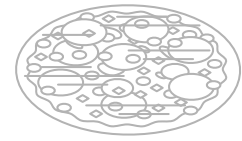
Flow-wraps



Pies



Lidded trays



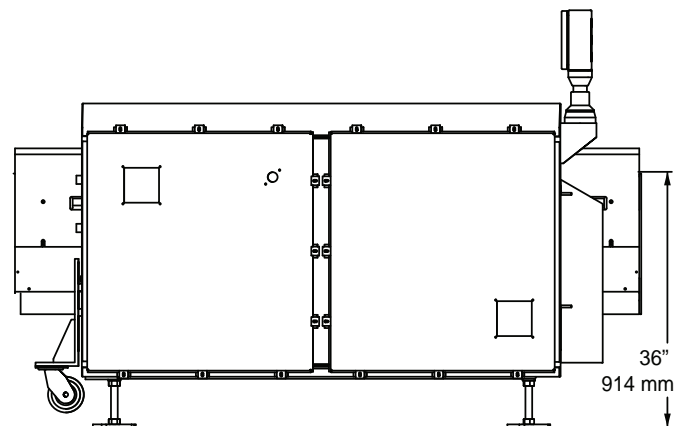
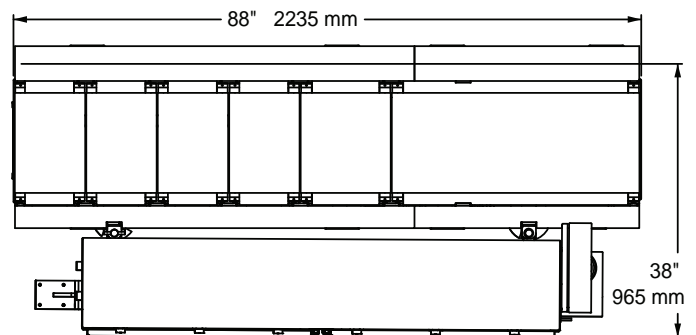
Shrink-wrapped pizzas

Standard Features

- ▶ Heavy-duty, fully-welded, stainless steel frame
- ▶ Servo-driven (6-axis)
- ▶ Insight® color touch screen icon-based HMI
- ▶ IP65 rating

Optional Features

- ▶ Easy clean – self cleaning water wash with quick drying belts
- ▶ Portability kit
- ▶ Riser kit
- ▶ Small product transfer
- ▶ Higher speed option with more phasing belts



Bosch Packaging Technology

boschpackaging.com

Kliklok-Woodman 5224 Snapfinger Woods Drive, Decatur, GA 30035
USA +1 770-981-5200 kliklokwoodman.com

Kliklok International Western Drive, Hengrove Park Estate,
Bristol, BS14 0AY UK +44 1275 836131 kliklok-int.com