



## Kliklok TransFormer

Topload Carton Former  
Produces Lock or Glue Cartons at 120 cpm

The Kliklok TransFormer combines the ability to form lock-style or glue-style cartons on the same machine at speeds up to 120 cartons/min with a single head. The Kliklok TransFormer, from the company that invented topload carton forming, has set the new standard for speed and flexibility.

The TransFormer's unique features include an ergonomic waist-level hopper that allows easy carton loading, and a servo driven high-precision THK linear rail plunger mounting system for absolute head-to-cavity positioning.

### Easy operation with touchscreen HMI

The Insight® color graphic touchscreen HMI is intuitive and features recipe-based programming that reduces operator error and ensures consistent performance, regardless of shift or operator skill. Enhanced diagnostics are standard.

### Lock- or glue-forming flexibility

The TransFormer offers the greatest production line flexibility by being able to run lock-formed and glue-formed carton on one machine – and the glue system does not need to be removed to run lock-formed cartons.

### Fastest former available

The TransFormer's short-stroke, servo-driven forming head can reach speeds of 120 cartons per minute – nearly double the speed of many other formers – and a single head means faster changeovers.

### High carton capacity

The TransFormer's high capacity carton hopper is set at waist level for easy loading. A belt drive with pneumatic pressure assist ensures consistent carton feeding.

### Fast changeovers

The TransFormer features a simplified toolless changeover procedure that is guided by the Insight HMI. Minimal change parts and easy-to-read adjustment gauges ensure repeatability with significantly less downtime.

### Key Features

- ▶ Speeds up to 120 cpm (single head)
- ▶ Lock and glue forming on one machine
- ▶ Low-level extended capacity carton hopper
- ▶ Easy-to-use Insight® touchscreen HMI
- ▶ Integrated outfeed conveyor
- ▶ Fast changeovers

## Packaging System Structure

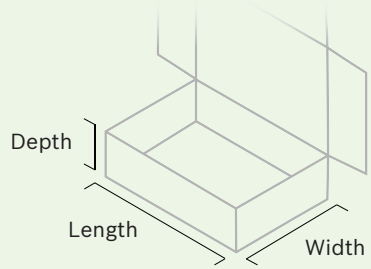
Primary Packaging

Product Handling

Secondary Packaging

# Kliklok TransFormer Topload Carton Former

## Technical Specifications

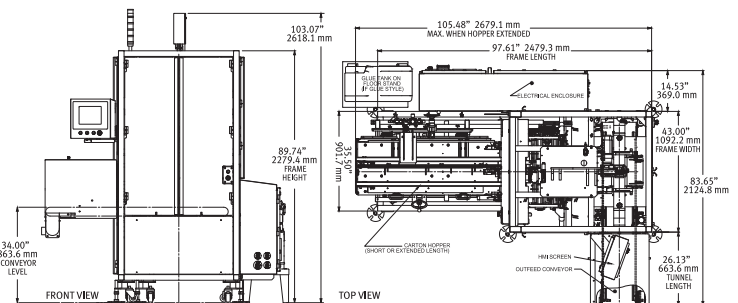
Performance		Carton Size Range	Minimum	Maximum
Speed ( strokes per min )	Variable from 30 to 120	Length	127 mm ( 5.00" )	406 mm ( 16.00" )
Actual speed depends upon machine configuration and carton size and style. Ask Kliklok about meeting higher speed requirements.		Width	102 mm ( 4.00" )	205 mm ( 8.00" )
		Depth	22 mm ( .87" )	102 mm ( 4.00" )
Operating Requirements		An individual carton combining multiple minimum or maximum dimensions may not be compatible with the standard system.		
Power Consumption	7 kVA			
Air	708 liters/min ( 25 cfm ) 5.5 bar ( 80 psi )			
Construction				
Fully-welded tubular stainless steel frame with clear polycarbonate guards. Anodized aluminum.				
Shipping Weight	1370 kg ( 3014 lb )			

## Standard Features

- ▶ Speeds up to 120 cpm with a single composite head
- ▶ Capable of running glue-style and/or stripper lock-style cartons
- ▶ Waist level hopper
- ▶ 1270 mm ( 50" ) hopper capacity
- ▶ Controlled carton supply with photoeye
- ▶ Vacuum generator for carton feeder
- ▶ Servo profiled plunger
- ▶ Tool-less quick-release plunger mounting
- ▶ Integrated outfeed conveyor with VFD drive
- ▶ Color touchscreen HMI, front-mounted
- ▶ Allen-Bradley electronics
- ▶ Jog control pendant
- ▶ Carton air eject
- ▶ Barrier guarding with interlocking doors
- ▶ Nema 4X stainless steel slope top electrical enclosure with flange-mounted main disconnect
- ▶ IP54 dust and water splash protection
- ▶ Casters for portability and stainless steel leveling screws
- ▶ Delayed start alarm
- ▶ Multi-color light stack
- ▶ External ethernet convenience port
- ▶ Low carton inventory sensing with alarm

## Optional Features

- ▶ Pressurized hot melt glue system
- ▶ IP65 construction
- ▶ Alternative electrical controls



Bosch Packaging Technology

boschpackaging.com

**Kliklok-Woodman** 5224 Snapfinger Woods Drive, Decatur, GA 30035  
USA +1 770-981-5200 [kliklokwoodman.com](http://kliklokwoodman.com)

**Kliklok International** Western Drive, Hengrove Park Estate,  
Bristol, BS14 0AY UK +44 1275 836131 [kliklok-int.com](http://kliklok-int.com)